

MICROWAVE OVEN MAGNETRONS

These quality magnetrons will serve as replacements in a majority of ovens from many different manufacturers. The important points to observe are:

(a) Will it physically fit in, i.e. is the size and mounting manner similar

(b) Air flow in relation to the power socket and the tags.

(c) Do the tags have bolts or not. The bolts can be removed if necessary.

(c) After determining the physically same unit, you may find more than one similar to your magnetron. Then check the P/No listed with each magnetron. If missing or not listed, just use the most physically similar magnetron.

(d) Wattage output is determined by the internal circuitry of the oven, such as the transformer voltages, capacitor values, etc. not necessarily just the magnetron. Again check the part numbers and dimensions.

A Higher Wattage Magnetron Can Be Used In A Lower Wattage Oven Safely.

All measurements are outer dimensions or centre hole/stud dimensions measured in millimeters.



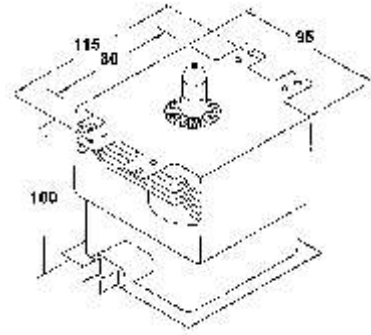
**Inverter Type
Magnetrons
OEM From
Panasonic**

NEW!

SEE PAGE 5...

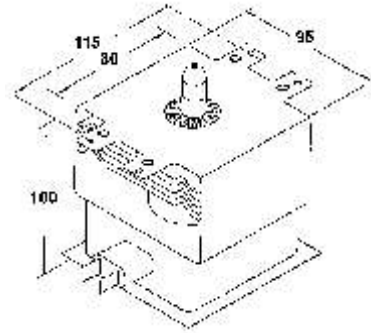
AWI ALL-IN-LINE

Watts 850
Freq. 2458MHz
FV 3.15V
PAV 4000V
PAI 300mA
Equiv. A670-IH
2M224(62)
2M172AH/DW/P/HB
RVMZA047WREO
2M219HB
2M107A-33/94,
OM75-020,S107HB,
Code AM707



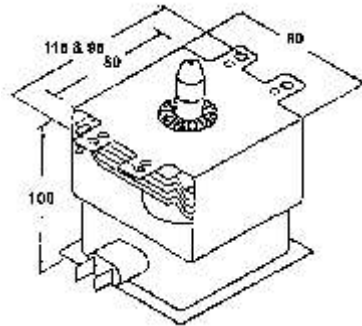
AWI ALL-IN-LINE

Watts 1000
Freq. 2458MHz
FV 3.3V
PAV 4000V
PAI 300mA
Equiv. A670-IH
2M107A(94)
2M247H(B)
OM75(020)
S107HB
Code AM724



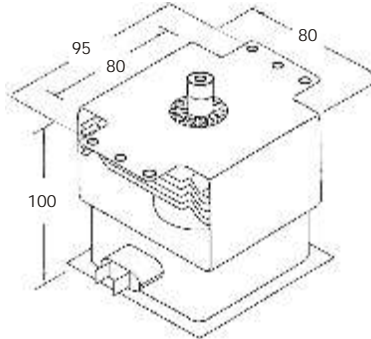
AWI ALL-IN-LINE

Watts 850
Freq. 2458MHz
FV 3.3V
PAV 4000V
PAI 300mA
Equiv. A650-IH
2M207-03
2M218H(H)
Code AM718



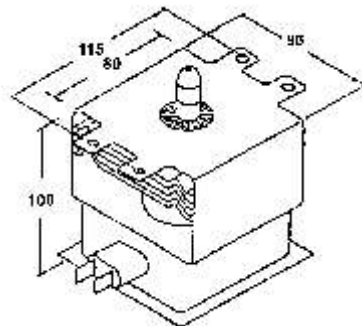
AWI ALL-IN-LINE

Watts 850
Freq. 2458MHz
FV 3.3V
PAV 4000V
PAI 300mA
P/No. 2M218/H
2M238
4150021502
Equiv. Daewoo &
Sanyo, etc.
Code AM742



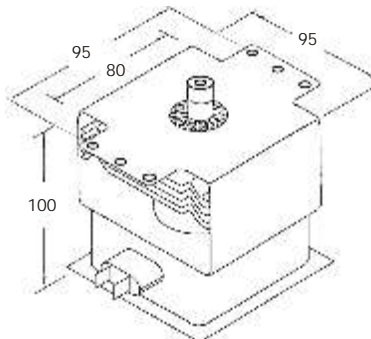
DAI-1CHI ALL-IN-LINE

Watts 850
General
Replacement for
OM75S-21 and
many others
Code MAG703



AWI ALL-IN-LINE

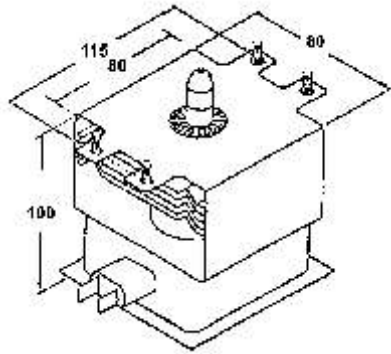
Watts 850
Freq. 2458MHz
FV 3.15V
PAV 4000V
PAI 300mA
Equiv. Dae-Woo &
Sanyo.
Code AM741



AWI ALL-INLINE

Watts 850
Freq. 2458MHz
FV 3.3V
PAV 4000V
PAI 300mA
Equiv. A650-I

2M214-23
2M214-57
2M218H
AM719
Code AM719



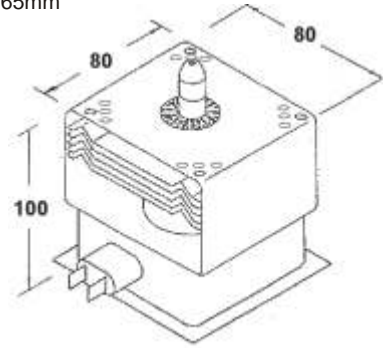
NO TAGS INLINE

Mounting Holes = 65 x 65mm
(+ other mount holes)

Watts 850
Freq. 2458MHz
FV 3.3V
PAV 4000V
PAI 300mA
A650 HYIS
2M214-04/HY
2M218-HBY
RVMZA080WREO

AWI
Code AM711

DAI-1CHI
Code MAG695

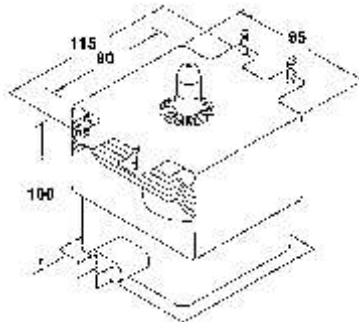


ALL-INLINE

Watts 850
Freq. 2458MHz
FV 3.15V
PAV 4000V
PAI 300mA
A670-I, NL2555-2,
2M172H/AH/Y/CB.N
2M219H, 2M107(79)
2M189AM4, 2M128D1
OM75-A(20)/9020
OM75S-20, S107H, H172

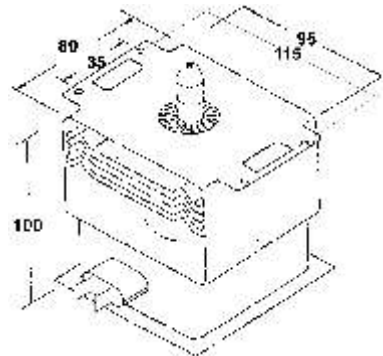
AWI
Code AM708

DAI-1CHI
Code MAG704



AWI TAGS NOT-INLINE SOCKET INLINE

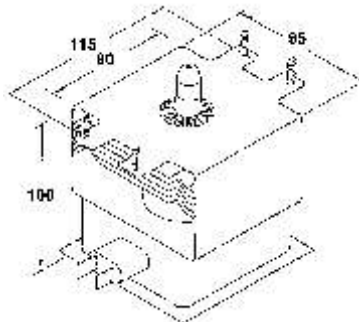
Watts 850
Freq. 2458MHz
FV 3.15V
PAV 4000V
PAI 300mA
Equiv. Dae-Woo &
Sanyo.
Code AM709



ALL-INLINE

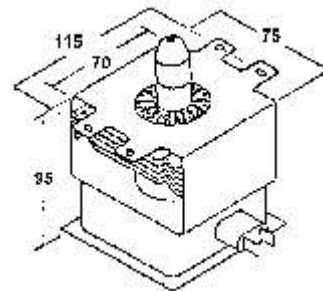
Watts 1000
Freq. 2458MHz
FV 3.15V
PAV 4000V
PAI 350mA

AWI 1000W
Equiv. 2M107(79),
OM75(20),
2M247,
S107H,
H3801-03
Code AM722



DAI-1CHI TAGS INLINE SOCKET NOT-INLINE

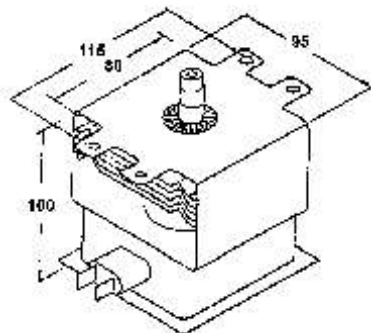
Watts 600
General
Replacement
AM698
OM52-S11
Code MAG698



ALL-INLINE GENUINE SHARP OEM

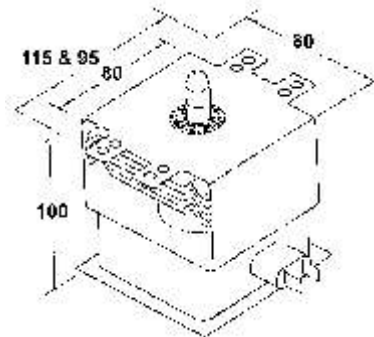
Watts 1000
FV 4.35V(Peak)
Original OEM Sharp
RV-MZ A295 WRE0
2M248H(L)
350 562 0254

SHARP
Code MAG295



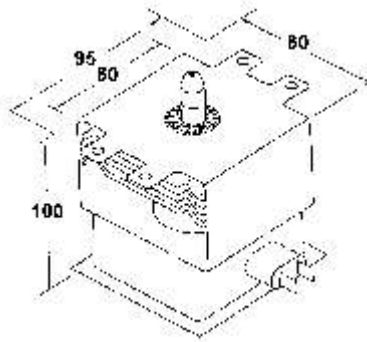
AWI TAGS INLINE SOCKET NOT-INLINE

Watts 850
Freq. 2458MHz
FV 3.3V
PAV 4000V
PAI 300mA
Equiv. A650-OH
2M207-22
2M218-JB
Code AM717



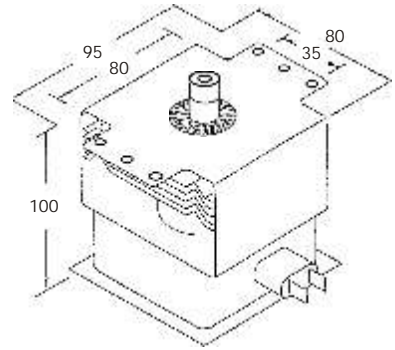
AWI TAGS INLINE SOCKET NOT-INLINE

Watts 850W
 Freq. 2455MHz
 FV 3.3V
 PAV 4000V
 PAI 300mA
 Equiv. 2B71732A
 2M214-39
 2M218JXZ
 2M218JQZ
 AM734
 Code MAG710



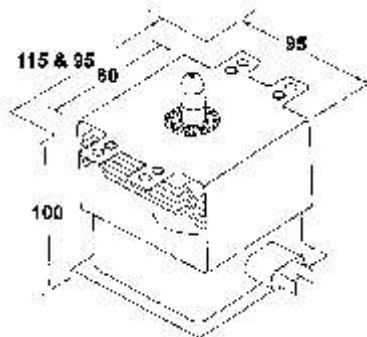
AWI TAGS INLINE SOCKET NOT-INLINE

Watts 850
 Freq. 2458MHz
 FV 3.3V
 PAV 4000V
 PAI 300mA
 Equiv. Dae-Woo &
 Sanyo, etc.
 Code AM743



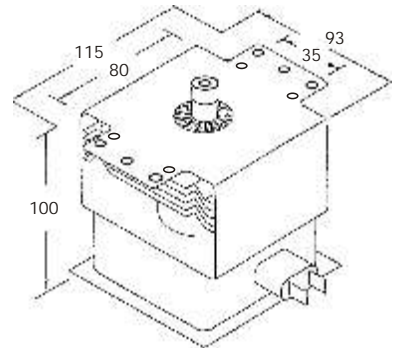
AWI TAGS INLINE SOCKET NOT-INLINE

Watts 1000
 Freq. 2458MHz
 FV 3.3V
 PAV 4000V
 PAI 300mA
 Equiv. AM670-OH
 2M240J(Y)
 2M247JB
 S107JB
 Code AM723



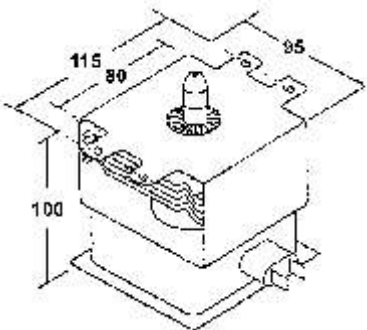
AWI TAGS INLINE SOCKET NOT-INLINE

Watts 1000
 Code AM727



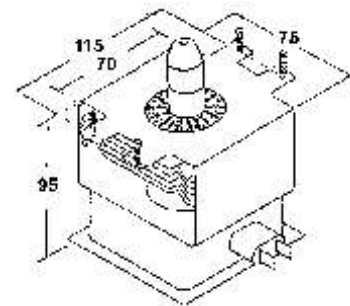
DAI-1CHI TAGS INLINE SOCKET NOT-INLINE

Watts 850
 General
 Replacement
 OM75S-11 and
 many others
 Code MAG701



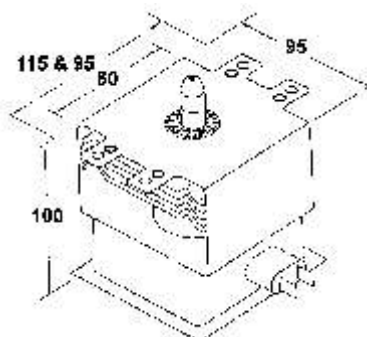
DAI-1CHI TAGS INLINE SOCKET NOT-INLINE

Watts 600
 AM700
 OM52-S10
 2M209A
 Code MAG700



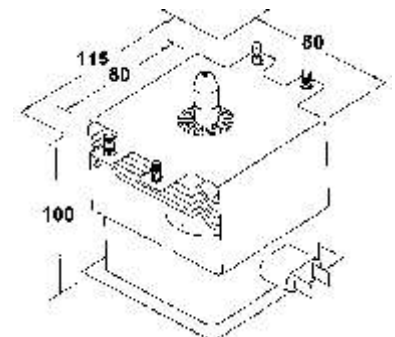
AWI TAGS INLINE SOCKET NOT-INLINE

Watts 850
 Freq. 2458MHz
 FV 3.15V
 PAV 4000V
 PAI 300mA
 Equiv. A670-OH,
 2M107A,
 2M204M3,
 2M219JB,
 2M240J(Y),
 OM75(11),
 S107JB
 Code AM701



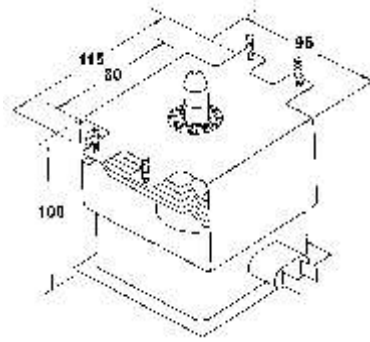
DAI-1CHI TAGS INLINE SOCKET NOT-INLINE

Watts 850
 Freq. 2458MHz
 FV 3.3V
 PAV 4000V
 PAI 300mA
 A650-O
 2M214-06
 2M218-J/JC/FJB
 Code MAG680



DAI-1CHI TAGS INLINE SOCKET NOT-INLINE

Watts 850
General
Replacement
for OM75S-10
NL2555-1 and
many others
Code MAG702

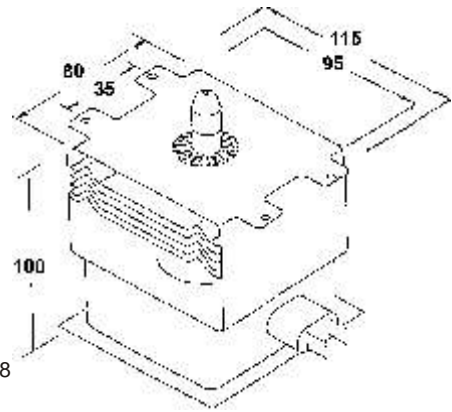


DAI-1CHI NOT-INLINE

Watts 850
General
Replacement

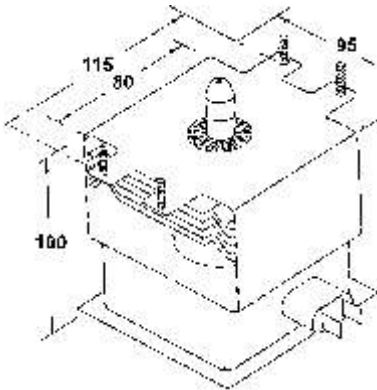
A670-FOH
AM703
DE03-30012A
OM75S-31D
OM75SD-31
2M204-M1
2M210-M1
2M244-M1
2M244-M23
many others

Code MAG708



AWI TAGS INLINE SOCKET NOT-INLINE

Watts 850
Freq. 2458MHz
FV 3.15V
PAV 4000V
PAI 300mA
Equiv. A670-0
2M172AJ/JA/N,2M128
2M107A-11/66/825
2M107A-82/95/96/97
2M142,2M157/M2B,
FVMZA0108WRKO,
H3801-01
OM75-10/010,
Code AM702

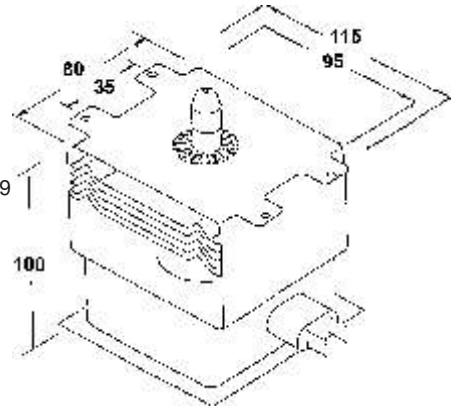


DAI-1CHI NOT-INLINE 1KW

Watts 1000
High power
Replacement

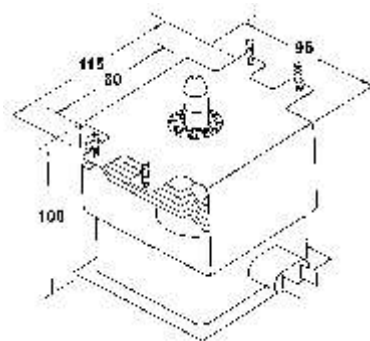
2M244-M23
and others

Code MAG709



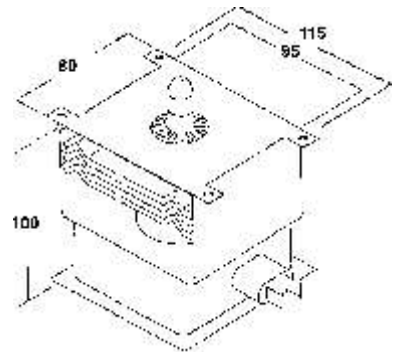
AWI TAGS INLINE SOCKET NOT-INLINE

Watts 1000
Freq. 2458MHz
FV 3.3V
PAV 4000V
PAI 300mA
Equiv. S1075, OM75,
AM670-0
2M157 M2B
2M161,
2M107A,
2M218,
2M247J
Code AM721



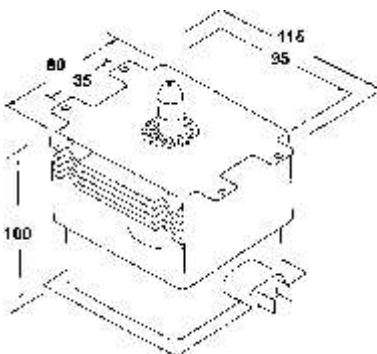
AWI NOT-INLINE

Watts 850
Freq. 2458MHz
FV 3.15V
PAV 4000V
PAI 300mA
Equiv. A670-WTOH
2M186M2
2M219JWB
OM75(41)
S107JWB
Code AM706



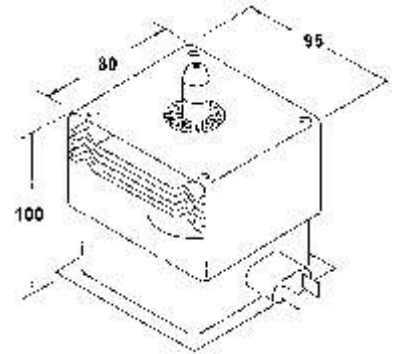
AWI NOT-INLINE

Watts 850
Freq. 2458MHz
FV 3.15V
PAV 4000V
PAI 300mA
Equiv. A670-FOH
2M107A325
2M157M1
2M161
2M172FJB
2M210M1
OM75(11)
S107FJB
Code AM703



AWI NO TAGS NOT-INLINE SOCKET

Watts 850
CK623HY
A670-HY
2M214-06
2M172-ADWII/JYB
2M172(YC)
OM75(51)
S107JYB
Code AM705

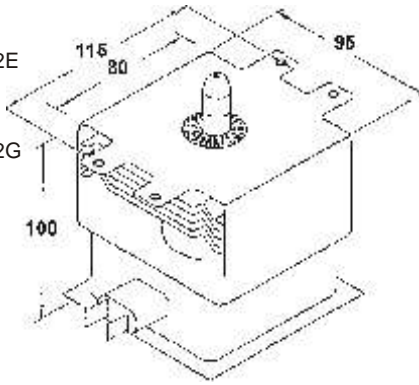


PANASONIC INVERTER TYPE

TWO MODELS:

Code 2M236M42E

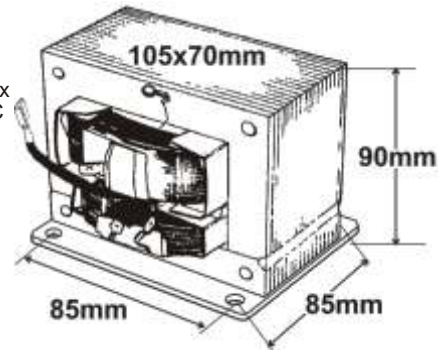
Code 2M261M32G



WARNING!
Use for
Inverter type
ovens only!

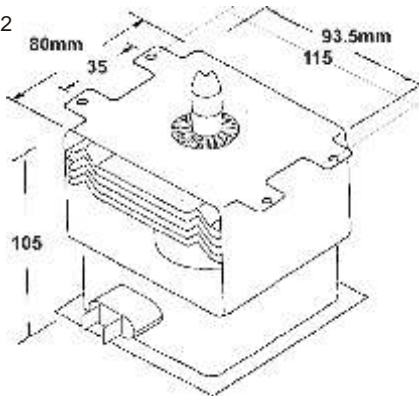
HIGH VOLTAGE POWER TRANSFORMERS

Vin 240VAC
50Hz
Vout 2030V
3.15V
700Wmax
Code AT4851C



PANASONIC INVERTER TYPE

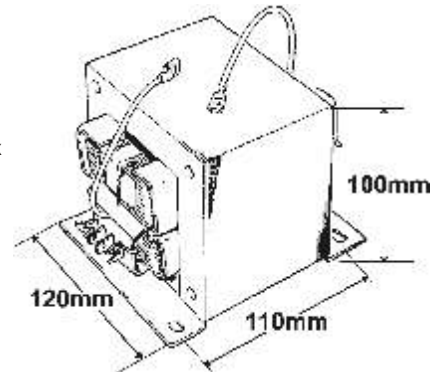
Code 2M261-M22



WARNING!
Use for
Inverter type
ovens only!

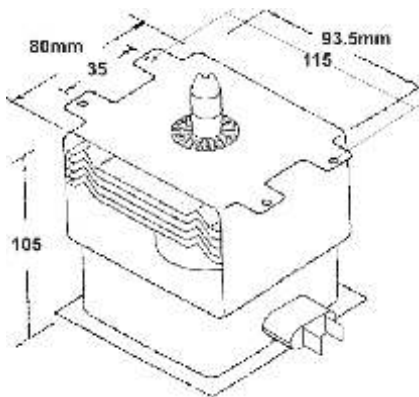
HIGH VOLTAGE POWER TRANSFORMERS

Universal
replacement.
Vin 240VAC
50Hz
Vout 2180V
3.25V
700Wmax
Code AT903



PANASONIC INVERTER TYPE

Code 2M236-M1

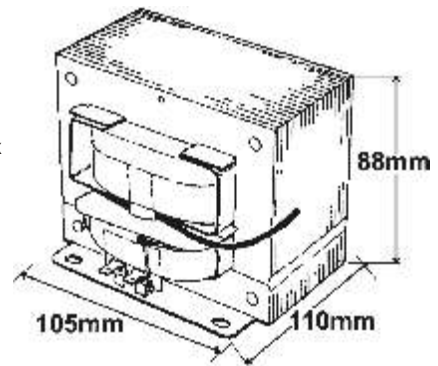


WARNING!
Use for
Inverter type
ovens only!



HIGH VOLTAGE POWER TRANSFORMERS

Universal
replacement.
Vin 240VAC
50Hz
Vout 2000V
3.13V
700Wmax
Code AT918



PANASONIC SMPS PARTS

TWO TRANSISTOR OEM KIT

Update Kit from Panasonic
Includes Two Transistors

P/No. A691E4V00GPS
P/No. A691E4V10GP
Q701 *GT60N321 (G60N90)
AESCGT60N321
Q702 1M30D-060
AESPGT30J322

PARTS KIT

Code KIT691



& OTHER SMPS PARTS THAT MAY REQUIRE REPLACING

BRIDGE RECTIFIER

AESTRBV6206
Code D20XB60



362K 3KV CAP
ECKK3FF362KDU
Code ECK362

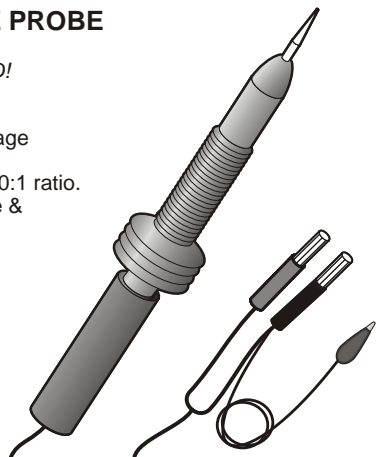
CAPACITORS

See last page or
See Section 2



HIGH VOLTAGE PROBE

DON'T GET ZAPPED!
Test the capacitor for voltage first. Also for checking correct voltage and rectification, etc. 40KV. $\pm 2\%$ 1G Ω 1000:1 ratio. Suitable for Analogue & Digital Multi-meters.
Code HT4944



HR-DIEMENS OEM
Genuine Original.
 $\pm 1\%$ 40KV 1G Ω
Code SAT40KV

TOUCH-UP PAINT FOR MICROWAVE

Inspect oven and cavities. Scratches may cause sparks and reduce the life of the magnetron. Special paint formulated for Microwave oven internal surfaces. Touch-up scratches in the cavity, etc. Available in classic white or cream Supplied in little 15ml hobby tins

WHITE
15ml MWP15W

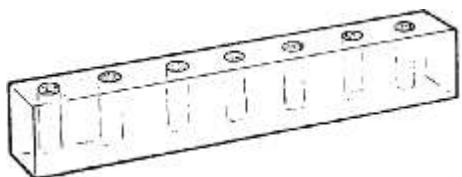
CREAM
15ml MWP15C



Paint brushes available - See section 14 Tools...

NEON MICROWAVE TESTER

Indicates the existence of microwave energy distribution within the oven cavity with a dancing light display.
Code TM319



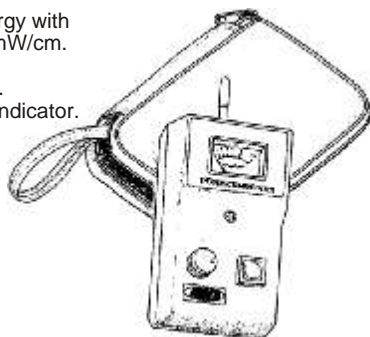
MICROWAVE MANUAL

There are many dangers involved in servicing microwave ovens. You should prepare yourself with information on the correct safety precautions and basic operations. This 66 page book offers all this information and much more including oven testing, door leakage, cooking sensors, common faults and diagnostic flow charts, popular circuits, and lots of general knowledge for microwave servicing. A must for every workshop or even for those of you who are curious about how these things operate.
Code MAN-MICRO



MICROWAVE LEAKAGE MONITOR

Fully tested and calibrated for testing the integrity of seals for microwave leakage. Detects microwave energy with the one range of 0-10mW/cm. Includes instructions, battery and carry pouch. With instrument failure indicator.
Code TM318



INNER DOOR LINING

Clear transparent film. Heat and microwave proof type plastic. A replacement for the damaged inner linings of oven doors. With sticky adhesive on one side for application. Simply cut to size and stick on!
Size 500x350mm
Code ADF535

Clear Film
350 x 500mm

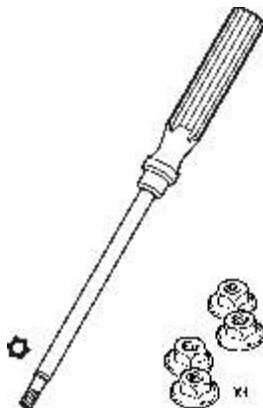


SCREW DRIVERS & FIXING NUTS

100MM SHAFT JAPAN
Code HT15H
200MM SHAFT JAPAN
Code HT15HLG
1/4" HEX BIT
Code HEX815
DRILL BIT HOLDER
Suit HEX815, etc.
Code HTC40

SEE SECTION 14 FOR MORE.....

MAGNETRON FIXING NUTS
Supplied in a bag of four.
Code M35

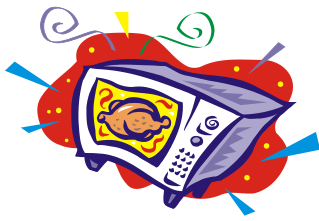


SECURITY TAMPER LABELS

"WARNING WARRANTY VOID IF SEAL BROKEN OR TAMPERED WITH."
Place over screws and seals to prevent tampering. Suit repair shops, etc. Special type sticker that will not peel off in one go. Convenient dispenser box.

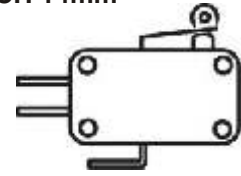
Roll 500 pcs.
Code WL500





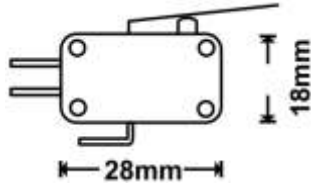
ROLLER-LEVER SWITCH 14mm

Roller wheel for mechanical triggering
14mm lever length
10A 250Vac *FTM*
Code SWM424



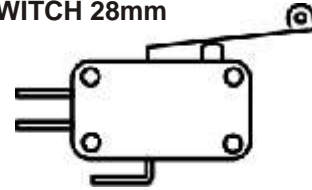
MICRO-SWITCH COMMON ECONOMY

Single Pole Double Throw
6mm Spade Contacts
Power 10A/240Vac
Lever 25mm
Code SWM420



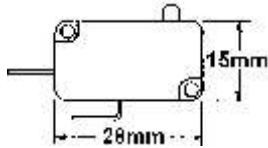
ROLLER-LEVER SWITCH 28mm

Roller wheel for mechanical triggering
28mm lever length
3A 250V / 6A 110V
Code SWM425



OEM PANASONIC MICROWAVE OVEN SWITCH

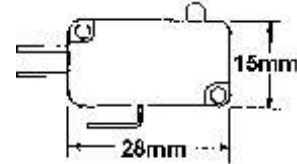
Single Pole Single Throw
Japan 15A Omron* OEM
P/No. ANE6142-F60
Code SW5106



**Substitute may be supplied depending on availability*

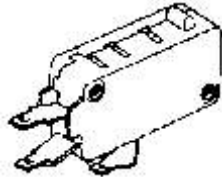
OEM SHARP OVEN SWITCH

Sharp P/No.
QSW-M0085WREO
Code SW5110



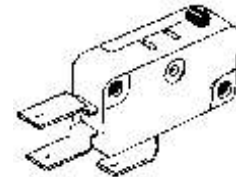
AWI SWITCH ECONOMY

Pwr. 15A
Tags 4.6mm
Code MS107



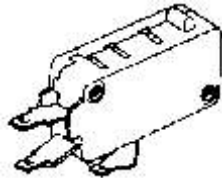
AWI SWITCH ECONOMY

Pwr. 16A
Tags 6.3mm
Code MS106



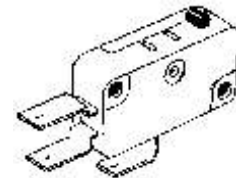
AWI SWITCH NORMAL #1

Honeywell
Pwr. 10A
Tags 4.6mm
Code MS098



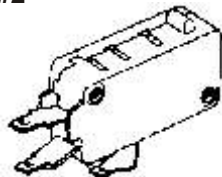
AWI SWITCH NORMAL #1

Honeywell
Pwr. 10A
Tags 6.3mm
Code MS101



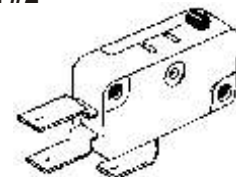
AWI SWITCH NORMAL #2

Honeywell
Pwr. 16A
Tags 4.6mm
Code MS198



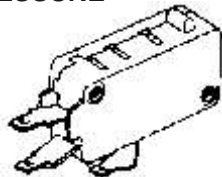
AWI SWITCH NORMAL #2

Honeywell
Pwr. 16A
Tags 6.3mm
Code MS201



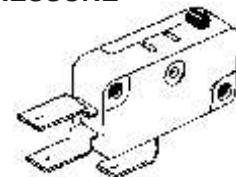
AWI SWITCH LIGHT PRESSURE

Honeywell
Pwr. 16A
Tags 4.6mm
Code MS298



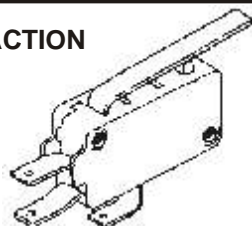
AWI SWITCH LIGHT PRESSURE

Honeywell
Pwr. 16A
Tags 6.3mm
Code MS301



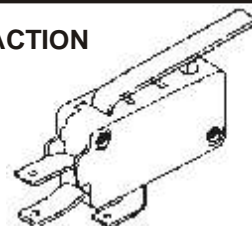
AWI SWITCH LEVER ACTION

Honeywell
Lever 25mm
Pwr. 16A
Tags 4.6mm
Code MS199



AWI SWITCH LEVER ACTION

Honeywell
Lever 25mm
Pwr. 16A
Tags 6.3mm
Code MS202



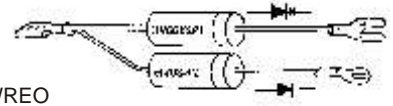
HVR1X3T RECTIFIER DIODE

Volts 9KV
Diode HVR1X3T
6mm→4mm
Code HD200



DIODE SET

Common microwave replacement set. HV6X2P & HV05-12
Supplied already wired with connectors (6mm).
Code ZA018



eg. Replacement for SHARP FHD ZA017 WREO

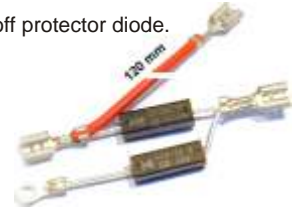
HVR1X3T RECTIFIER DIODE

Volts 9KV
Diode HVR1X3T
6mm→RING
Code HD201



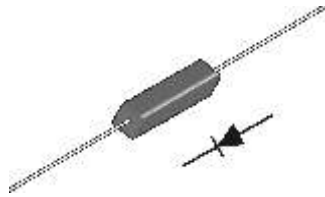
DIODE SET WITH LEAD

ZA017 Diode set with lead wire off protector diode.
Diodes HVR-1X4, 2X062H
Sharp FW-QZA025WRKO
350 536 0640
Code MWD025



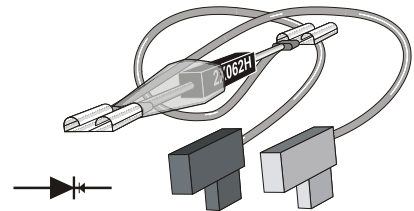
HVR1X4 RECTIFIER DIODE

9K Volts, 350mA
Genuine OEM.
No Terminals.
Code HVR1X4



PANASONIC PROTECTOR DIODE

Original cabling
A606V5110BP
Diode 2X062H
Code MWD606



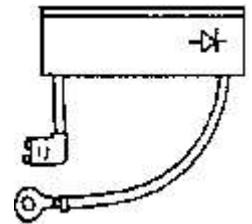
HVR1X7 RECTIFIER DIODE

6mm Spade to
4mm I/D Ring
Code HVR1X7



ANE6202 DIODE

Orig. P/No.
ANE6202-C90
eq to ANE6202-F50
Code MWD90

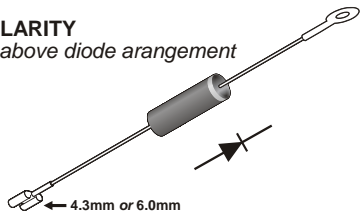


HV05-12 RECTIFIER [REVERSED]

DOUBLE-CHECK POLARITY
Not as popular as the above diode arrangement

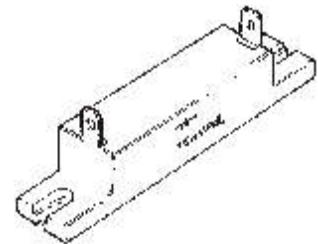
4.3mm→RING
ZA511

6.0mm→RING
ZA521



75HVP10 DIODE

PWR 16KV, 750mA
AWI 75-HVP16
Code HD204M



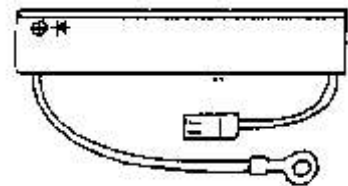
MICROWAVE SHORT PROTECTOR

P/No. A606V4760JP
Equiv. A606V5110BP
6mm & 6mm
Code HD208



ANE6202B60AP DIODE

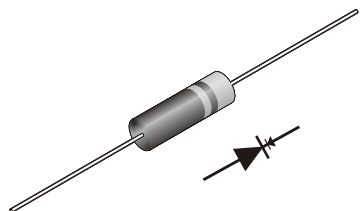
Code MWD60



ECONOMICAL REPLACEMENT PROTECTOR

NO TERMINALS
Code HV6X2P

6mm→6mm
Code ZA530



HIGH VOLTAGE DIODES

RECTIFY & PROTECT

**DISCHARGE
HIGH-VOLTAGE
CAPACITORS!**

Test: Diodes fail by going short-circuit.



LAMPS - MICROWAVE CONVECTION & FRIDGE

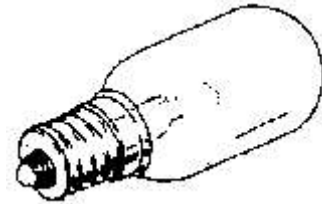
All lamps are premium quality, designed for use in microwaves. **CONVECTION** or **Temp=300°C** will tolerate heat of convection ovens.

Any lamps will suit fridges, etc. Pictures are accurate at the time of printing but may vary slightly.



AWI LAMP E17 NARROW 125VAC

Base E17
Volt 125VAC
Watt 20W
Temp 300°C
Code CL822

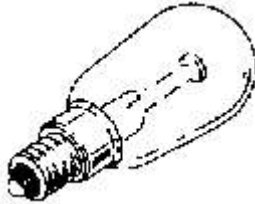


AWI LAMP E14 NARROW

Base E14 SES
P 15W 240VAC
Code CL802

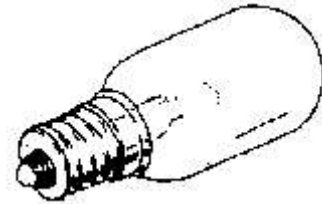
CONVECTION

P 25W 240VAC
Temp. 300°C
Code CL807



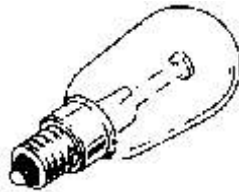
PANASONIC LAMP E17 NARROW

Orig. A60304080BP
Base E17
Watt 250V 20W
Temp 300°C
Code MWL80



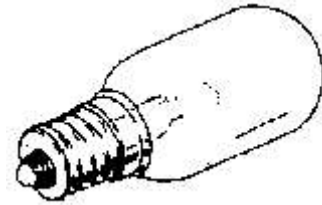
PANASONIC E14 NARROW

Eq. ANE6030Q50GN
Base E14 SES
Watt 25
Volt 240
Temp. 300°C
Code MWL50



PANASONIC LAMP E17 NARROW 125V

ANE6030540AP
Base E17
Watt 20
Volt 125
Code MWL40



AWI LAMP E14 PEAR

Base E14 SES
Watt 15
Temp 300°C
Volt 240
Code CL806



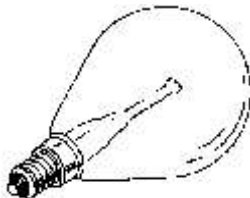
AWI LAMP E17 ROUND 125V

Base E17
Power 25W
125Vac
Code MWL817



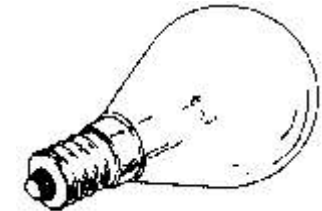
AWI LAMP E14 ROUND

Base E14 SES
Watt 40
Volt 240
Code CL801



AWI LAMP E17 ROUND 250V

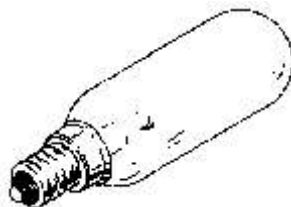
Base E17
Power 25W
240Vac
Temp. 300°C
Code CL816



AWI LAMP E14 LONG

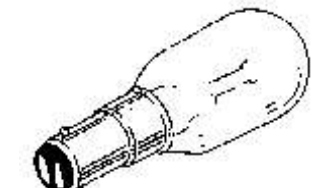
Base E14 SES
Power 25W 240VAC
Code CL818

Volt 130
Code CL819



AWI LAMP B15 NARROW

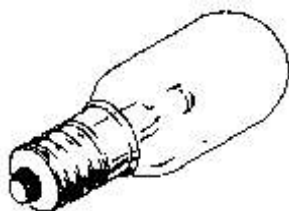
Base B15 SBC
Watt 15
Volt 240
Code CL803



AWI LAMP E17 NARROW

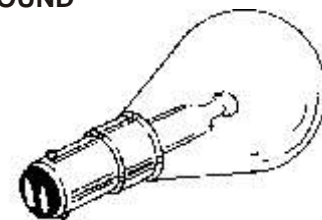
Base E17
Power 15W 240VAC
Temp. 300°C
Code CL815

Power 20W 240VAC
Code CL821



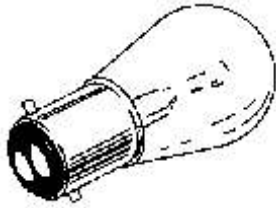
AWI LAMP B15 ROUND

Base B15 SBC
Watt 25
Volt 240
Code CL808



AWI LAMP B22 NARROW

Base BC B22D
Watt 15
Volt 240
Code CL804



Watt 25
Code CL809

ROOF LINER 450mm

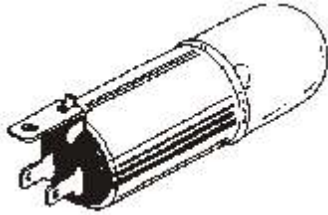
Simply cut to shape.
Size 450 x 450mm
MICA
Code RF501M



450mm x 450mm

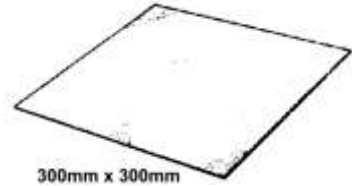
AWI LAMP & BRACKET

Tags 4.3mm
Watt 20
Volt 240
Suit NEC & others
Code CL823



ROOF LINER 300mm

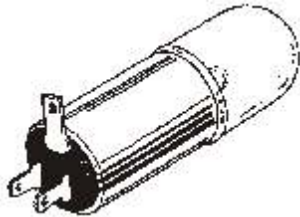
Simply cut to shape.
Size 300 x 300mm
MICA
Code RF502M



300mm x 300mm

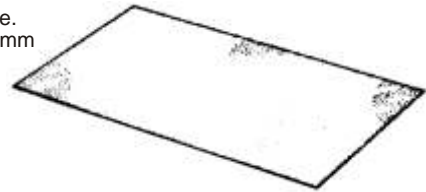
AWI LAMP & BRACKET

Tags 4.3mm
Watt 20
Volt 240
Suit Toshiba & others
Code CL825



ROOF LINER 127mm

Simply cut to shape.
Size 203 x 127mm
MICA
Code RF504M



AWI LAMP & BRACKET

High-temp bulb & base as one
40mm between mounting holes
with socket receptacle.

Tags 4.3mm
Watt 25
Volt 240
Code CL831



ROOF LINER SANYO OEM

Specific shape.
Size 370 x 400mm
Type Mica
Suit Sanyo & others.
Code RF503M



370mm x 400mm

AWI LAMP & BRACKET

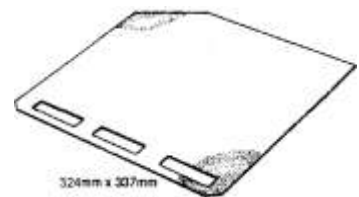
Hi-Temp bulb & base as one
40mm between mounting holes
25mmØ(Bulb) 66mm Height

Tags 6mm
Watt 25
Volt 240
Code CL827



ROOF LINER SANYO OEM

Specific shape.
Size 324 x 337mm
Type Mica
Suit Sanyo & others.
Code RF505M



324mm x 337mm

AWI LAMP & BRACKET

Bulb & Base One-piece. T170
40mm between mounting holes,
25mmØ(Bulb) 60mm Height

Tags 4.3mm
Watt 25
Volt 240
Code CL828



INNER DOOR LINING

Clear transparent replacement
for linings of oven
doors. With sticky
adhesive on one side.
Size 500x350mm
Code ADF535



Clear Film
350 x 500mm

SHARP LAMP

Horizontal Type
RLMPUA001WRE0
350 626 0293
Code LMP001



TOUCH-UP PAINT FOR MICROWAVE

Special paint formulated for
Microwave oven internal surfaces
Touch-up scratches in the cavity
White MWP15W
15ml

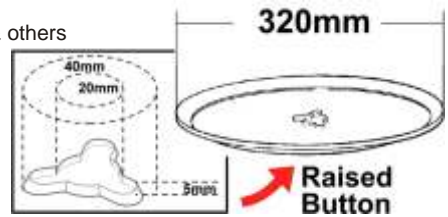
Cream MWP15C
15ml





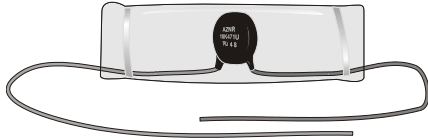
MICROWAVE GLASS TRAY

Suit Sanyo & others
 Type Trigonal
 320mm O/D
 Code GT252



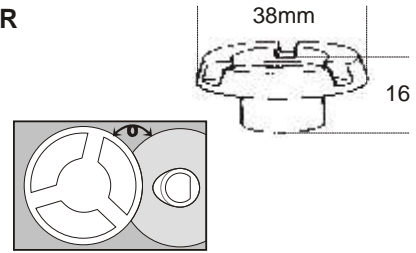
MICROWAVE VARISTOR

Orig. ANE604V820JN
 Code MWV820



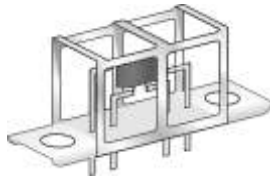
TRAY COUPLER

Suit Sanyo & others
 Type Trigonal to Half Moon
 Code NT48



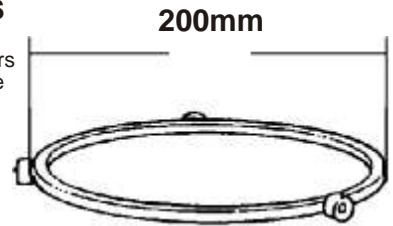
PANASONIC MICROWAVE SENSOR

Orig. ANE601LF70
 Code MWS601



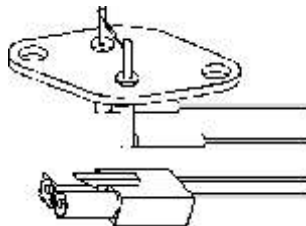
TRAY CARRIERS

Microwave oven platters skate on tri-wheel base
 Plastic, safe materials
 Diam. 200mm
 Suit Many brands
 Code RBA251



SHARP THERMISTOR

Convection Microwave Temperature sensor
 Orig. FH-HZA010WREO
 FH-HZA011WREO
 Code ZA010

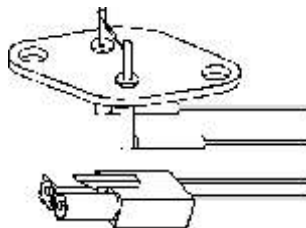


PORTABLE APPLIANCE TESTER

As part of the new OHS laws in Australia (May Vary Between States) it is required to regularly check power cables, power boards, appliances such as electric power tools, microwave ovens, plug-in air conditioners, toasters, vacuum cleaners, computers, etc. to ensure that the equipment is electrically safe. The Kyoritsu 6201A is hand-held portable appliance tester that ensures the Safety of Class I and Class II appliances, Extension leads and Leakage Current. Large LCD displays the mains voltage, plus other functions. 4 LED indicators and buzzer sound identifies if each test has passed or failed. Fuse protected. Includes Mains cord, Test lead with safety alligator clip / probe attachments & Extension lead test cable. Made in Japan. Pass / Fail Stickers Not Included. See Below.
 Code AT6201A

SHARP THERMISTOR

Convection Microwave Temperature sensor
 Orig. FH-HZA041WREO
 Code ZA041



PASS / FAIL STICKERS

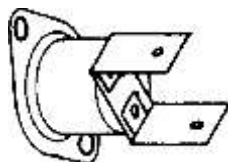
On completion of each test of the appliance / cable it is required to be labeled with a PASS or FAIL sticker that is filled in with identification details.

PASS STICKER ROLL OF 250 PIECES
 Code PASS-TAGS

FAIL STICKER ROLL OF 250 PIECES
 Code FAIL-TAGS

THERMAL CUT-OFFS 10A

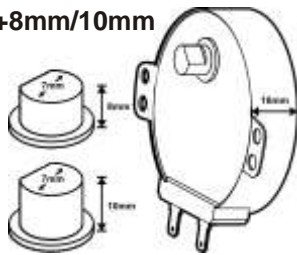
CODE	TEMP	Self Resetting 10A 240VAC Available in °C
MWT70	70	
MWT75	75	
MWT80	80	
MWT85	85	
MWT90	90	
MWT95	95	
MWT100	100	
MWT105	105	
MWT110	110	
MWT115	115	
MWT120	120	
MWT125	125	
MWT130	130	
MWT135	135	
MWT140	140	
MWT145	145	
MWT150	150	
MWT155	155	
MWT160	160	
MWT165	165	
ALL	.	



KYORITSU
 JAPANESE QUALITY

CAROUSEL MOTOR 16+8mm/10mm

240VAC 5RPM 2.5W
Orig. GM1624FKC2
8mm MWM1624



SSM16H C2B72754F
10mm TTM463

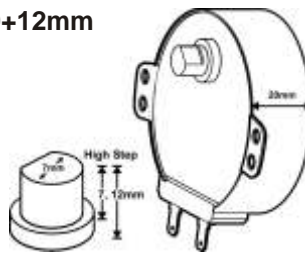
CAROUSEL MOTOR WIDE FLANGE

Body Height 16mm
Shaft Half-Moon
10mm x 7mmØ
Orig. GM-16-2F302
6549W1S017A
240VAC 2.5RPM 3W
Code MWM6549



CAROUSEL MOTOR 20+12mm

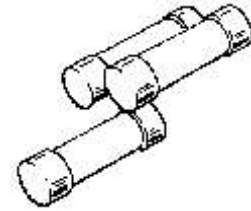
Body Height 20mm
Shaft Half moon
Orig. MULJ24ZB73
240VAC 2.5RPM 2.5W
Code MWM462



GLASS FUSES [STANDARD TYPES]

TOO MANY TO LIST HERE !
A comprehensive range of fuses
Standard Glass tube types as
used for 240Vac in microwaves.

See Section 2 Components...



CAROUSEL MOTOR 16+15mm

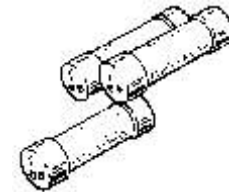
Body Height 15mm
Shaft Half moon
GM1624FEK1
240VAC 5RPM 2.5W
Code MWM467



AWI FUSES 5 x 20mm

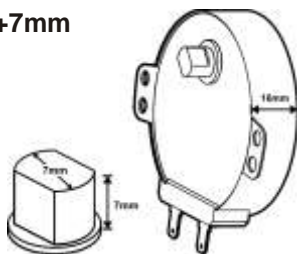
Ceramic tube Brass nickel plated contact cups
Time delay(T) High breaking capacity.

Rating	Code
125mA	AF010S
255mA	AF030S
1A	AF040P
1.25A	AF050P
1.6A	AF060P
2A	AF070P
3.15A	AF080P
5A	AF090P
6.3A	AF010P
8A	AF011P
10A	AF012P
12.5A	AF014P



CAROUSEL MOTOR 16+7mm

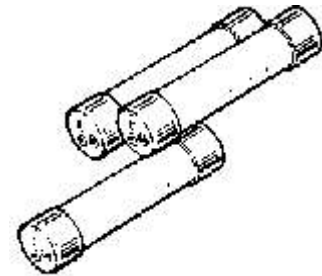
Body Height 16mm
Shaft Double Flat
240VAC 2.5RPM
Orig. **RMOTDA091WREO**
P/No. M2LJ24ZA02
Code MWM91
Orig. **RMOTDA133WREO**
Code MWM133



AWI FUSES 6.3 x 32mm

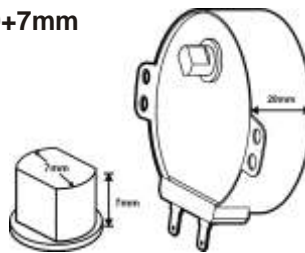
Ceramic tube Brass nickel plated contact cups
Time delay(T) High breaking capacity.

1A	AF014L
1.5A	AF015L
2A	AF016L
3.15A	AF017L
5A	AF018L
6.3A	AF019L
8A	AF020L
10A	AF021L
16A	AF022L
12.5A	AF023L
20A	AF024L
7A	AF025L
1.6A	AF026L
12A	AF027L
15A	AF028L



CAROUSEL MOTOR 20+7mm

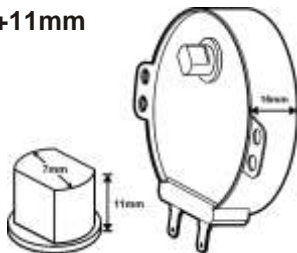
Body Height 20mm
240VAC 2.5RPM 2.5W
RMOTDA033WREO
RMOTDA055WREO
P/No. MULJ24ZA93
MULJ24ZB33
Code MWM33



CAROUSEL MOTOR 16+11mm

Body Height 16mm
Shaft Double Flat
240VAC 2.5RPM 2.5W
Code TTM468

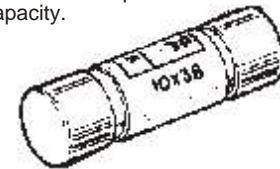
Fits "X" Type too
Subs RMOTDA159WREO



AWI FUSES 10 x 38mm

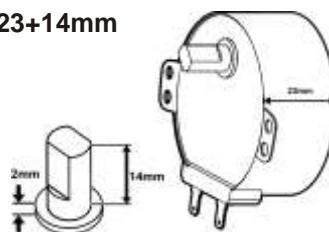
Ceramic tube Brass nickel plated contact cups
Time delay(T) High breaking capacity.

Rating	Code
8A	HRC8
10A	HRC10
16A	HRC16
20A	HRC20
32A	HRC32



CAROUSEL MOTOR 23+14mm

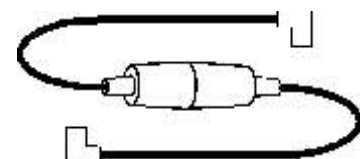
Body Height 23mm
Double Flat
Orig. A63265450QP
A63265451QP
240VAC 2.5RPM 4W
Code MWM450



MICROWAVE 5,000 VOLT FUSES

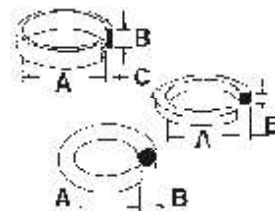
Supplied complete with
fuse holder & 6mm tags.

Rating	Code
600mA	MWF60
700mA	MWF70
750mA	MWF75
800mA	MWF80
1Amp	MWF100



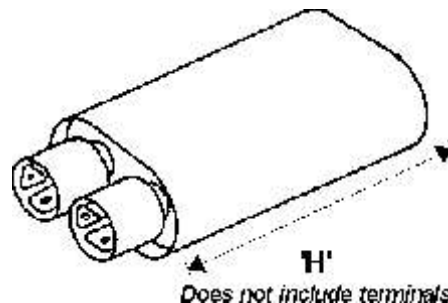
MICROWAVE OVEN BELTS

Code	Orig.	A	B	C	Length	Type
MWB95	ANE4060-850	95	7.0	0.6	300	Neoprene
MWB100	ANE4060-820	100	7.5	0.6	320	Neoprene
MWB105	ANE2132540AP	105	4.0	1.0	330	Neoprene
MWB110	ANE4060B60AP	110	7.0	0.6	340	Neoprene
MWB260	ANE4110-820	260	3.0	Square	800	Neoprene
MWB280	ANE4110-860	280	3.0	Square	880	Neoprene
MWB175	ANE2132580AP	175	2.5	Round	550	Neoprene



CAPACITORS

Value	Voltage	H	W	D	Tabs	Code
0.75µF	2100	85	53	33	6.3mm	MWC410
0.75µF	2500	105	53	33	6.3mm	MWC602
0.85µF	2500	95	53	33	6.3mm	MWC603
0.86µF	2100	80	53	33	6.3mm	MWC86
0.90µF	2100	70	53	33	6.3mm	MWC612
0.90µF	2500	100	53	33	6.3mm	MWC605
0.91µF	2100	80	53	33	6.3mm	MWC91
0.91µF	2350	100	53	33	6.3mm	MWC604
0.95µF	2100	75	53	33	6.3mm	MWC613
0.95µF	2500	105	53	33	6.3mm	MWC606
0.97µF	2100	97	52	33	6.3mm	MWC97
1.00µF	2100	75	53	33	6.3mm	MWC614
1.00µF	2500	110	53	33	6.3mm	MWC607
1.05µF	2100	75	53	33	6.3mm	MWC615
1.07µF	2100	85	53	32	6.3mm	MWC107
1.07µF	2100	75	53	32	6.3mm	MWC631
1.07µF	2200	90	52	33	6.3mm	MWC633
1.07µF	2200	80	53	32	6.3mm	MWC632
1.10µF	2100	80	53	33	6.3mm	MWC616
1.10µF	2500	130	53	33	6.3mm	MWC409
1.13µF	2100	85	53	31	6.3mm	MWC113
1.13µF	2100	85	53	33	6.3mm	MWC628
1.14µF	2100	85	53	33	4.6mm	MWC114-4
1.14µF	2100	95	53	33	6.3mm	MWC114-6
1.20µF	2100	85	53	33	6.3mm	MWC618



Sharp Original

Sharp Original

Sharp Original

DUAL CAP

0.67µF +					3x	
0.28µF	2200	65	70	45	6.3MM	MWC417

ORIGINAL SHARP CAPACITORS

Value	Voltage	H	W	D	Tabs	Code
Sharp	RCQZA192WREO					
	RCQZA068WREO					
	RCQZA075WREO					
1.13µF	2100	84	52	31	6.3mm	MWC113
Sharp	RCQZA172WREO					
1.07µF	2100	85	50	32	6.3mm	MWC107
Sharp	RCQZA215WREO					
1.07µF	2200	90	52	33	6.3mm	MWC633



MICROWAVE REPAIR ASSISTANCE MANUAL

There are many dangers involved in servicing microwave ovens. You should prepare yourself with information on the correct safety precautions and basic operations. This 66 page book offers all this information and much more including oven testing, door leakage, cooking sensors, common faults and diagnostic flow charts, popular circuits, and lots of general knowledge for microwave servicing. A must for every workshop or even for those of you who are curious about how these things operate.

Code MAN-MICRO

